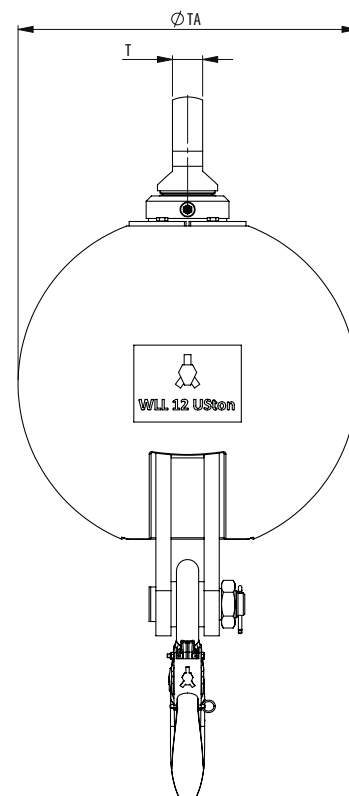
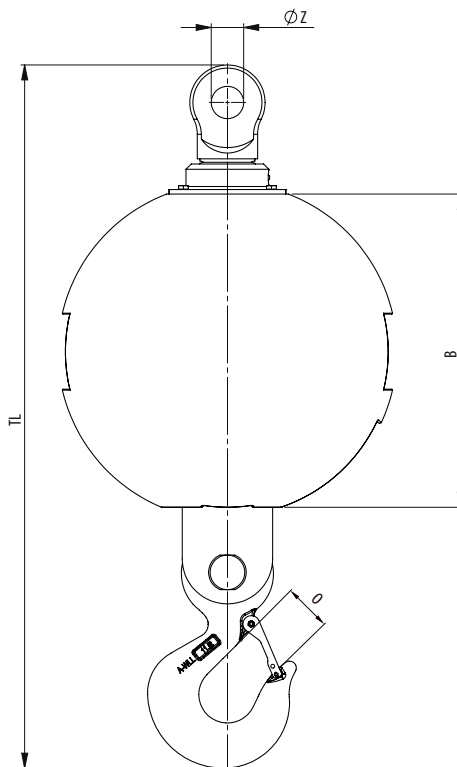


Round Overhaul Ball NEW!



Model nr.	WLL (UStons)	Becket	Dimensions (inch)						Weight (lbs)
			B	O	TA	TL	T	Z	
OHB-B 4,5.50-1	5	1	7 13/16	1 11/16	9 1/16	26 1/4	7/8	1 1/16	110
OHB-B 4,5.110-2	5	2	11 3/8	1 11/16	12 5/16	27 7/16	1 1/8	1 5/16	242
OHB-B 4,5.145-2	5	2	12 9/16	1 11/16	13 9/16	28 15/16	1 1/8	1 5/16	320
OHB-B 7.50-1	8	1	7 13/16	1 11/16	9 1/16	26 1/4	7/8	1 1/16	110
OHB-B 7.80-2	8	2	10	1 11/16	11	26 1/4	1 1/8	1 5/16	175
OHB-B 7.110-2	8	2	11 3/8	1 11/16	12 5/16	27 7/16	1 1/8	1 5/16	242
OHB-B 7.145-3	8	3	12 9/16	1 11/16	13 9/16	28 15/16	1 3/8	1 7/16	320
OHB-B 11.180-3	12	3	13 3/8	2 1/16	14 9/16	33 1/16	1 3/8	1 7/16	396
OHB-B 11.265-4	12	4	15 3/8	2 1/16	16 3/4	35 7/8	1 9/16	1 11/16	583
OHB-B 11.320-4	12	4	16 7/16	2 1/16	17 11/16	36 7/8	1 9/16	1 11/16	705
OHB-B 11.530-4	12	4	20	2 1/16	21 1/16	40 7/16	1 9/16	1 11/16	1165
OHB-B 18.195-5	20	5	13 1/8	3 1/16	14 9/16	38 5/16	1 3/4	2 1/16	429
OHB-B 18.330-6	20	6	16 7/16	3 1/16	17 11/16	42	1 15/16	2 5/16	726
OHB-B 18.545-6	20	6	20	3 1/16	21 1/16	45 9/16	1 15/16	2 5/16	1200

The dimensions in this table are indicative only. A drawing will always be submitted prior to production and will be the leading document when discussing dimensions.
 Products shown here are standard models; inquiries for custom versions are welcome.

Minimum Ultimate Strength = 4 x WLL