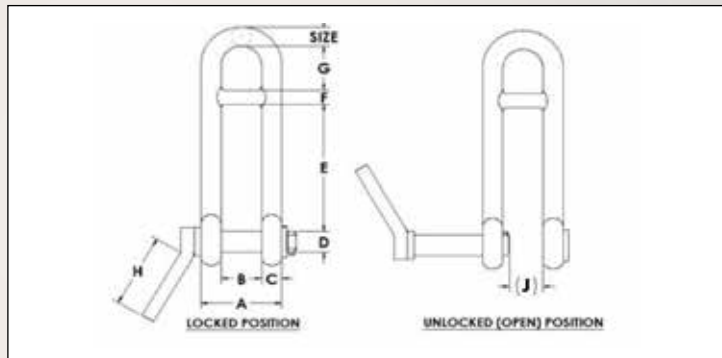


Shackle Products

Sheet Pile Shackle



- The No. 59A shackles were specifically designed for pulling sheet piling. They are equipped with a easy opening pin which will not detach and become lost. No tools are required.
- Max opening with pin in open (unlocked) position.
- Design factor is 5 to 1.
- Replacement pins must be replaced or repaired by Skookum in Hubbard, OR.



SPECIFICATIONS

SIZE	PART #	WLL ¹ (TONS)	WEIGHT (LBS)	OPENING ² J
1	605908	8.00	10.00	1 3/4
1 1/8	605909	10.00	13.50	1 7/8
1 1/4	605910	12.00	18.00	2.00
1 1/2	605912	17.00	29.00	2 1/8
1 3/4	605914	24.00	45.00	2 1/2
2	605916	30.00	63.00	3.00

DIMENSIONS (IN)

A	B	C	D	E	F	G	H
4.25	2.25	1.00	1.13	7.00 ± .25	0.63	2.38	5.00
4.50	2.50	1.00	1.25	8.00 ± .50	0.75	3.00	5.00
5.25	2.75	1.25	1.38	9.00 ± .50	0.88	3.00	5.00
6.25	3.00	1.50	1.63	10.00 ± .50	1.13	3.50	6.00
7.00	3.50	1.75	2.00	11.00 ± .50	1.25	4.00	7.00
8.00	4.00	2.00	2.25	12.00 ± .75	1.38	4.50	8.00

¹Design factor is 5 to 1.

²Max opening with pin in open (unlocked) position.

Tons = 2000lbs



WARNING: Misuse of rigging equipment can result in serious injury up to and including loss of life. Only competent trained professionals should use Skookum products. Thoroughly inspect all equipment before each and every use and never use damaged or worn products. Skookum disclaims any liability resulting from the misuse of its products. Please take a moment to carefully review our maintenance and warnings page for more information.