



NEW

IPPE10B(E)

The IPPE10 type clamp is suitable for lifting and transferring bundles of non-bendable sheets of metal in a horizontal position. The jaw opening can be easily adjusted for the height of the bundle or plate. The IPPE10 has magnets in the footplate. This allows one person to operate multiple clamps at the same time when lifting loads.

For lifting and transporting non-bendable sheet metal in a horizontal position.

- Available in capacities of 3 thru 12 metric tons.
- Wide variety of jaw openings available: 0 to 7.09”
- Welded alloy steel body for strength and smaller size. Forged alloy components, where required.
- Individually Proof Tested to 2 times the Working Load Limit with certification.
- Company name (CrosbyIP), logo, Working Load Limit and jaw opening permanently stamped on body.
- Each product is individually serialized, with the serial number and Proof Load test date stamped on body. User manual with test certificate is included with each clamp.
- Maintenance and repair kits are available.
- Manufactured by an ISO 9001 facility.
- All sizes are **RFID EQUIPPED**.
- IPPE10B: Magnets in foot plate (also applies for D and H Type).
- IPPE10BE: Economic version (also applies for D and H-Type).
- IPPE10BNM: Non-marring (also applies for D and H-Type).



NEW

IPPE10BNM

The IPPE10BNM lifting clamps may be used for virtually all applications, where the objects that are to be lifted or transported require optimal protection against surface damage. This also applies to materials with a very smooth surface, composites, plates with a protective cover or hard surface plates.

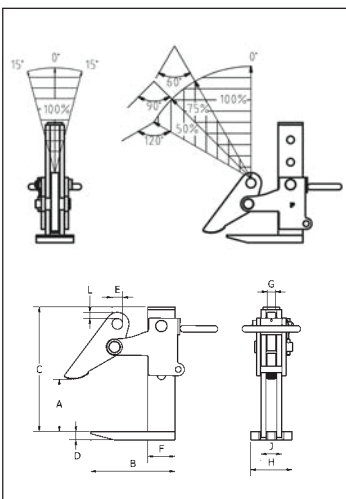
These clamps have to be used in pairs.



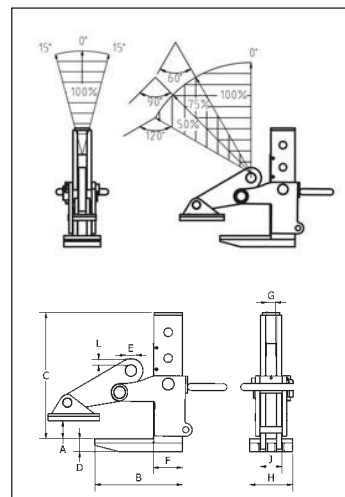
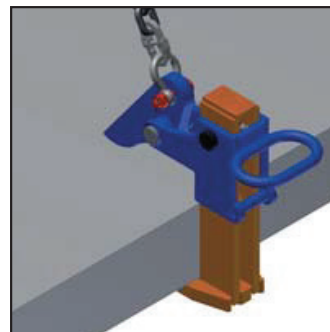
Model IPPE10B / IPPE10BE / IPPE10BNM

Model	IPPE Stock No.	Working Load Limit (Per Pair) (t)*	Weight Each (lbs.)	Dimensions (in)									
				Jaw A	B	C	D	E	F	G	H	J	L
3 IPPE10B	2703862	3.0	50.0	0 - 7.13	8.03	12.68	0.79	1.02	2.60	0.79	3.94	1.97	0.59
6 IPPE10B	2703871	6.0	70.0	0 - 7.13	8.66	13.39	0.98	1.18	2.91	0.79	5.51	2.36	0.51
9 IPPE10B	2703888	9.0	108	0 - 7.13	9.76	14.37	0.98	1.34	3.54	0.79	7.48	2.76	0.51
12 IPPE10B	2703921	12.0	144	0 - 7.13	9.92	14.80	1.18	1.57	3.54	0.98	7.87	2.76	0.71
3 IPPE10BE	2703863	3.0	94	0 - 7.13	8.03	12.68	0.79	1.02	2.60	0.79	3.94	1.97	0.59
6 IPPE10BE	2703870	6.0	70	0 - 7.13	8.66	13.39	0.98	1.18	2.91	0.79	5.51	2.36	0.51
9 IPPE10BE	2703891	9.0	108	0 - 7.13	9.76	14.37	0.98	1.34	3.54	0.79	7.48	2.76	0.51
12 IPPE10BE	2703924	12.0	144	0 - 7.13	10.31	14.80	1.18	1.57	3.54	0.98	7.87	2.76	0.71
3 IPPE10BNM	2703864	3.0	54	0 - 7.13	8.03	12.68	1.18	1.02	2.68	0.79	3.94	1.97	0.59
6 IPPE10BNM	2703872	6.0	76	0 - 7.13	8.66	13.39	1.38	1.18	2.99	0.79	5.51	2.36	0.51
9 IPPE10BNM	2703894	9.0	122	0 - 7.13	9.76	14.37	1.38	1.34	3.62	0.79	7.48	2.76	0.51
12 IPPE10BNM	2703927	12.0	154	0 - 7.13	10.31	14.80	1.57	1.57	3.62	0.98	7.87	2.76	0.59

* Design Factor based on EN 13155 and ASME B30.20. Also available in D-Type (maximum jaw opening of 11.75”) and H-Type (maximum jaw opening of 16.50”).



IPPE10(E)



IPPE10NM

