

ASHLEY SLING, INC.

Pipe Carrier Sling

PCS - "Tea Cup" Pipe Carrier Sling

SPECIFICATIONS

Sling Model Number	Tea Cup Model	Vertical Capacity (tons)	Sling Dia. (in.)	Standard Length (ft.)	After Swage (in.)		Wt. (lbs)
					A	B	
PCS-7/8	PC-3/4	6.6	7/8	5	3.86	1.80	14
PCS-1	PC-1	8.5	1	5	4.36	2.05	19
PCS-1 1/8		10	1 1/8	5	4.81	2.30	26
PCS-1 1/4		13	1 1/4	5	5.42	2.56	34
PCS-1 1/2	PC-1 1/2	18	1 1/2	5	6.50	3.06	54

NOTE: Standard 5' length 3' minimum length, longer lengths available.

* Oblong master ring at top also available.



"Tea Cup" Pipe Carrier Options



"Spoon Handle" for PC-3/4 only please order SH-3/4. (Includes bolt on lip)

OPTION SH - "Spoon Handle" Length 61.1" with slight bend for ease of use.

Operation



Drop pipe lifting sling through hole in pipe. Align and insert "Tea Cup" pipe carrier into lifting sling. Once set, you are ready to lift the pipe.

ASHLEY SLING, INC.

“Tea Cup” Pipe Carrier

Model PC - “Tea Cup”

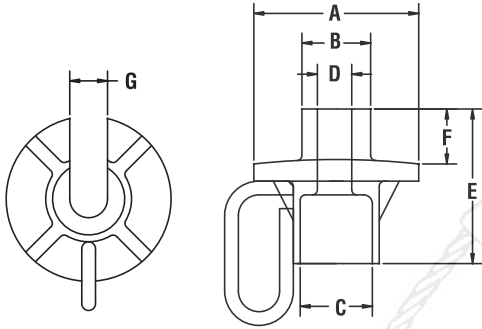
PRODUCT FEATURES:

- An efficient way to handle concrete water and sewer pipes.
- The “Tea Cup” Pipe Carrier will save you time and money.
- Three sizes available, to handle from 3/4” to 1-1/2” cable, and lift up to 18 tons.
- Optional “Spoon Handle” allows the PC-3/4 “Tea Cup” to be guided into small diameter pipes.
- Complies with ASME standards.

SPECIFICATIONS

Model Number	Vertical Capacity (tons)	Dimensions (inches)							Wt. (lbs)
		A	B	C	D	E	F	G	
PC-3/4*	6.6	5.56	2.00	2.13	1.13	4.75	1.75	1.13	14
PC-1	13	6.00	2.50	2.63	1.38	5.75	1.75	1.38	19
PC-1 1/2	18	8.00	3.00	3.25	1.63	7.63	2.75	1.63	26

* Can use "Spoon Handle" with this model.



Model PC – Low Profile “Tea Cup”

Same quality engineering as the standard model plus:

PRODUCT FEATURES:

- Only wire rope sling needs to be inserted through pipe.

SPECIFICATIONS

Model Number	Vertical Capacity (tons)	Dimensions (inches)				Wt. (lbs)
		A	C	H	G	
PC-3/4-F*	6.6	5.56	2.13	3.44	1.13	9
PC-1-F	13	6.00	2.63	4.38	1.38	12
PC-1 1/2-F	18	8.00	3.25	5.13	1.63	22

* Can use "Spoon Handle" with this model.

